



Condensate Processing

# QWIK-PURE® / ÖWAMAT®

highly efficient and economic condensate separation

# QWIK-PURE® / ÖWAMAT® Oil-water Separators

## ■ At a Glance

The disposal of air compressor lubricant carryover in condensate is a concern, as is the variety of regulations across the country. Installation of an oil-water separator is simple. The oily condensate from each drain valve is individually piped to a depressurization chamber to reduce pressure to atmospheric. The clean water is then piped into a waste water drain. The separated oil is contained within the cartridge and/or held in a collection vessel for proper disposal.

## ■ Features and Benefits

### + Simplified Service

Lightweight, easy to change cartridge and the exterior remains clean and dry (no dirty hands)

### + Unique Adsorption Material

Advanced filling material that is extremely light, not messy and has increased performance

### + Reliable Operation

Works well with all lubrication types including Polyglycol lubricants

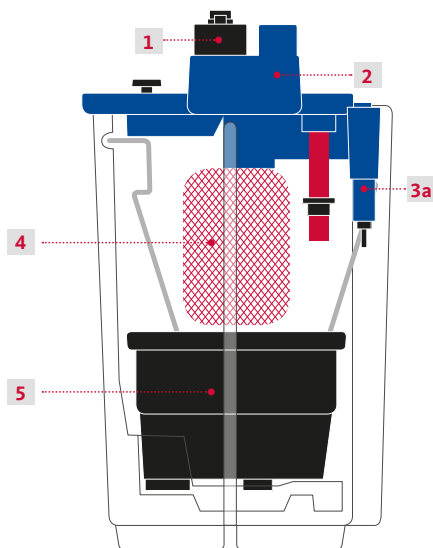
### + Environmentally Safe

Cartridge can be disposed of normally and is safe for any sanitary land-fill

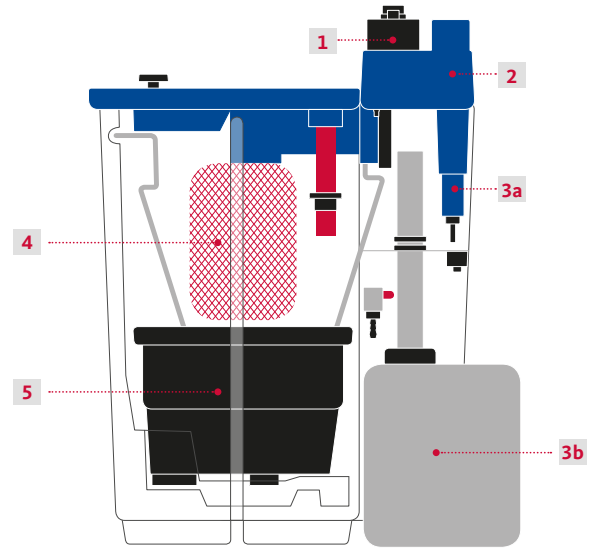
### + Future Proof

Easy expansion with specifically designed accessories

## ■ How it Works



QWIK-PURE® Function



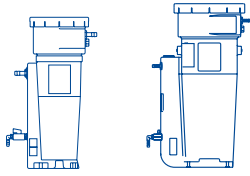
ÖWAMAT® Function

For the processing, the oil-containing condensate first flows under pressure into the pressure relief chamber [1]. Here, the pressure is reduced without causing turbulence in the downstream separation tank for the separation of free oils [2]. Any entrained coarse dirt particles are retained in a removable receiver [3a]. Applicable only to the ÖWAMAT line, in the separating tank, the oil settles on the surface of the effluent as a result of gravity separation and is fed into the spill-proof oil receiver [3b].

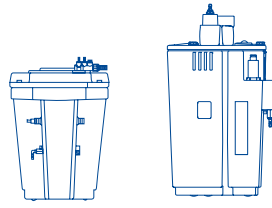
The filter makes the difference: The condensate then flows through the oleophilic prefilter [4], which boasts a large active filtering surface. With a flow from the inside to the outside, it binds the remaining oil droplets and also absorbs any residual floating oil in the filter chamber. However, at the core is the OEKOSORB® primary filter with cartridge technology [5]: here, residual oil fractions are reliably retained. What remains is water which may be directly introduced into the sewer system.

# QWIK-PURE® / ÖWAMAT® Oil-water Separators

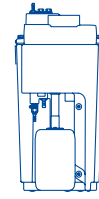
## Compare



QWIK-PURE® 25 & 50



QWIK-PURE® 100 - 350



ÖWAMAT® 12 - 16

### Flow Rates

45 - 225 scfm

270 - 7,200 scfm

60 - 8,400 scfm

### Suitable Lubricant Types

All - incl. Polyglycol lubricants

All - incl. Polyglycol lubricants

Mineral oils  
PAO/Diester oils

### Separation Type

Direct to filter

Direct to cartridge

Pre-separation with direct to cartridge

### Cartridge Based System

No

Yes

Yes

### Available Options

High pressure relief chamber, Alarm sensor, Multiple inlet adapter, Flow splitter, Spill protection basin, Cover3More extended warranty

High pressure relief chamber, Alarm sensor, Multiple inlet adapter, Flow splitter, Spill protection basin, Cover3More extended warranty

High pressure relief chamber, Alarm sensor, Multiple inlet adapter, Flow splitter, Spill protection basin, Cover3More extended warranty

## Product Family



QWIK-PURE® 50



QWIK-PURE® 100



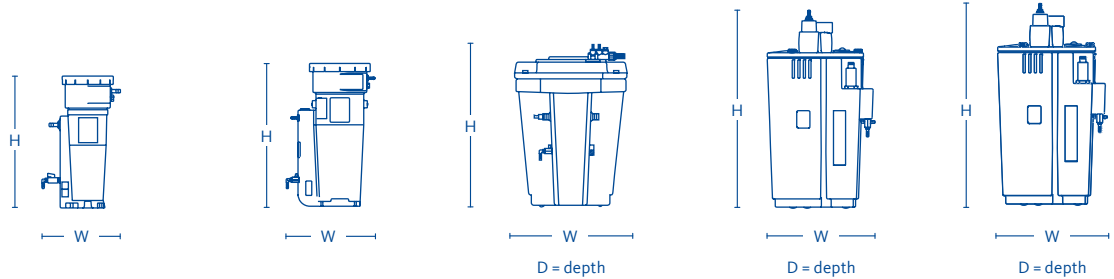
ÖWAMAT® 14

## ■ Technical Details

### QWIK-PURE® High-Efficiency Oil-Water Separators

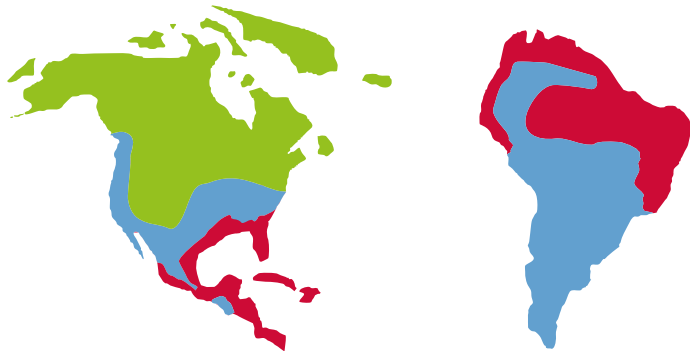
with direct to cartridge filtration

- › New filling material that increases performance
- › Works well with all lubricant types
- › Lightweight easy to change cartridge
- › Min. / max. ambient temperature: 41 °F / 140 °F
- › Max. condensate temperature: 140 °F
- › Max. operating pressure: 232 psig



| QWIK-PURE®                   | 25      | 50      | 100             | 200               | 350                |
|------------------------------|---------|---------|-----------------|-------------------|--------------------|
| Condensate feed              | 2 x ½"  | 2 x ½"  | 3 x ½"   1 x 1" | 3 x ½"   1 x 1"   | 3 x ½"   1 x 1"    |
| Cartridge Capacity (gal)     | 1 x 1.3 | 1 x 2.4 | 1 x 5.2         | 1 x 4.9   1 x 5.3 | 1 x 9.8   1 x 10.7 |
| Tank Capacity (gal)          | 2.6     | 4.9     | 17.7            | 30.51             | 60.34              |
| Filling Capacity (gal)       | 1.1     | 3.1     | 12.4            | 19.15             | 36.24              |
| <b>Dimensions and Weight</b> |         |         |                 |                   |                    |
| H x W x D (inches)           | 21 x 8  | 23 x 15 | 26 x 18 x 21    | 44 x 23 x 21      | 47 x 28 x 26       |
| Weight (lbs)                 | 7.7     | 12.7    | 24.5            | 70.6              | 92.6               |

|                     | Max. Compressor Horsepower   Rotary Screw Compressor |    |     |     |     |
|---------------------|--|----|-----|-----|-----|
| Mineral Oils        | 25   | 50 | 100 | 200 | 350 |
| PAO / Diestrer Oils | 20   | 35 | 75  | 130 | 210 |
| Polyglycol Oils     | 15   | 25 | 50  | 100 | 175 |



| CLIMATE ZONE CORRECTION FACTOR |      |
|--------------------------------|------|
| COOL / MILD                    | 1.00 |
| MEDIUM / ARID                  | .90  |
| HOT / TROPICAL                 | .70  |

| FILTER CARTRIDGE LIFE CYCLE* |              |
|------------------------------|--------------|
| 1 Shift                      | 10-14 months |
| 2 Shifts                     | 8-12 months  |
| 3 Shifts                     | 5-9 months   |

\* Ranges are approximate

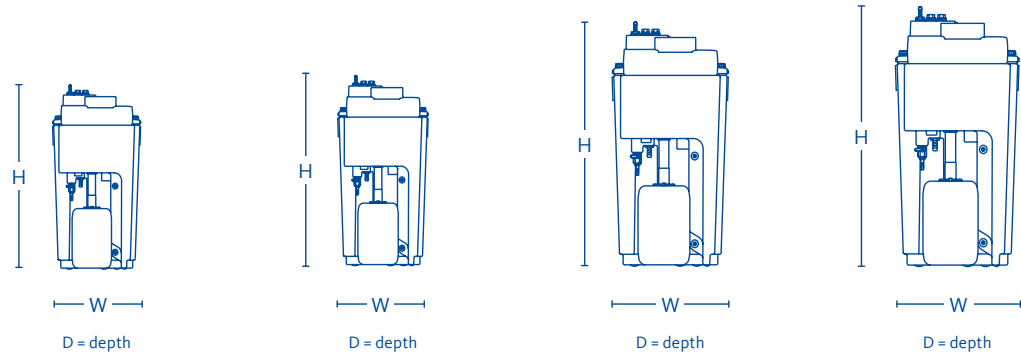
To use the sizing chart, first locate the closest applicable compressor horsepower value (for multiple compressors use the total system horsepower) of your compressed air system. Locate the row with the appropriate compressor lubricant for your particular application (i.e mineral oil) and you will instantly know the correct QWIK-PURE® model size for your compressor type. Multiply the compressor maximum compressor horsepower by the climate zone correction factor based on the location of your application.

Capacity tests and our long-term experience have enabled us to make locational adjustments to our capacity figures by taking global climate data into account. Regions in the southern United States (i.e San Antonio, TX) are subject to higher temperature and humidity levels throughout the year, which can yield different condensate treatment requirements. Therefore, if you feel that your regional location may have a significant impact on the application or installation, please consult your BEKO Technologies representative for details.

## ■ Technical Details

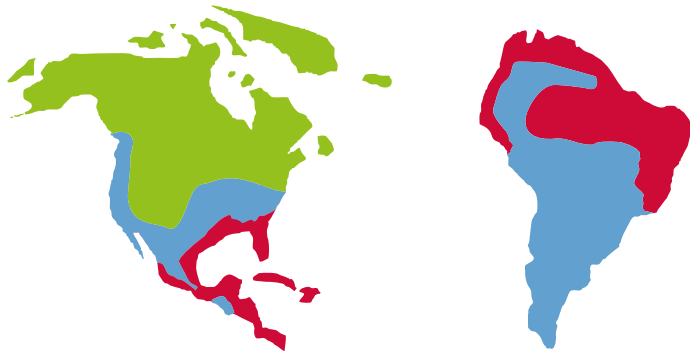
### ÖWAMAT® Gravity Oil-Water Separators with gravity pre-separation and cartridge filtration

- › New filling material that increases performance
- › Works with condensate mixtures only
- › Lightweight easy to change cartridge
- › Min. / max. ambient temperature: 41 °F / 140 °F
- › Max. condensate temperature: 140 °F
- › Max. operating pressure: 232 psig



| ÖWAMAT®                      | 12                | 14                | 15                | 16                |
|------------------------------|-------------------|-------------------|-------------------|-------------------|
| Condensate Feed              | 3 x ½"   1 x 1"   | 3 x ½"   1 x 1"   | 3 x ½"   1 x 1"   | 3 x ½"   1 x 1"   |
| Cartridge Capacity (gal)     | 1 x 0.7   1 x 1.4 | 1 x 1.8   1 x 2.8 | 1 x 4.9   1 x 5.3 | 1 x 4.9   1 x 5.3 |
| Tank Capacity (gal)          | 8.08              | 16.19             | 30.51             | 60.4              |
| Filling Capacity (gal)       | 6.00              | 12.23             | 22.27             | 41.9              |
| <b>Dimensions and Weight</b> |                   |                   |                   |                   |
| H x W x D (inches)           | 27 x 22 x 14      | 34 x 25 x 16      | 43 x 30 x 21      | 46 x 39 x 26      |
| Weight (lbs)                 | 29.8              | 40.8              | 80.5              | 116.9             |

| Max. Compressor Horsepower   Rotary Screw Compressor |    |     |     |     |
|--|----|-----|-----|-----|
| Mineral Oils   | 50 | 110 | 210 | 450 |
| PAO / Diestrer Oils                                  | 40 | 75  | 130 | 280 |



| CLIMATE ZONE CORRECTION FACTOR |      |
|--------------------------------|------|
| COOL / MILD                    | 1.00 |
| MEDIUM / ARID                  | .90  |
| HOT / TROPICAL                 | .70  |

| FILTER CARTRIDGE LIFE CYCLE* |              |
|------------------------------|--------------|
| 1 Shift                      | 10-14 months |
| 2 Shifts                     | 8-12 months  |
| 3 Shifts                     | 5-9 months   |

\* Ranges are approximate

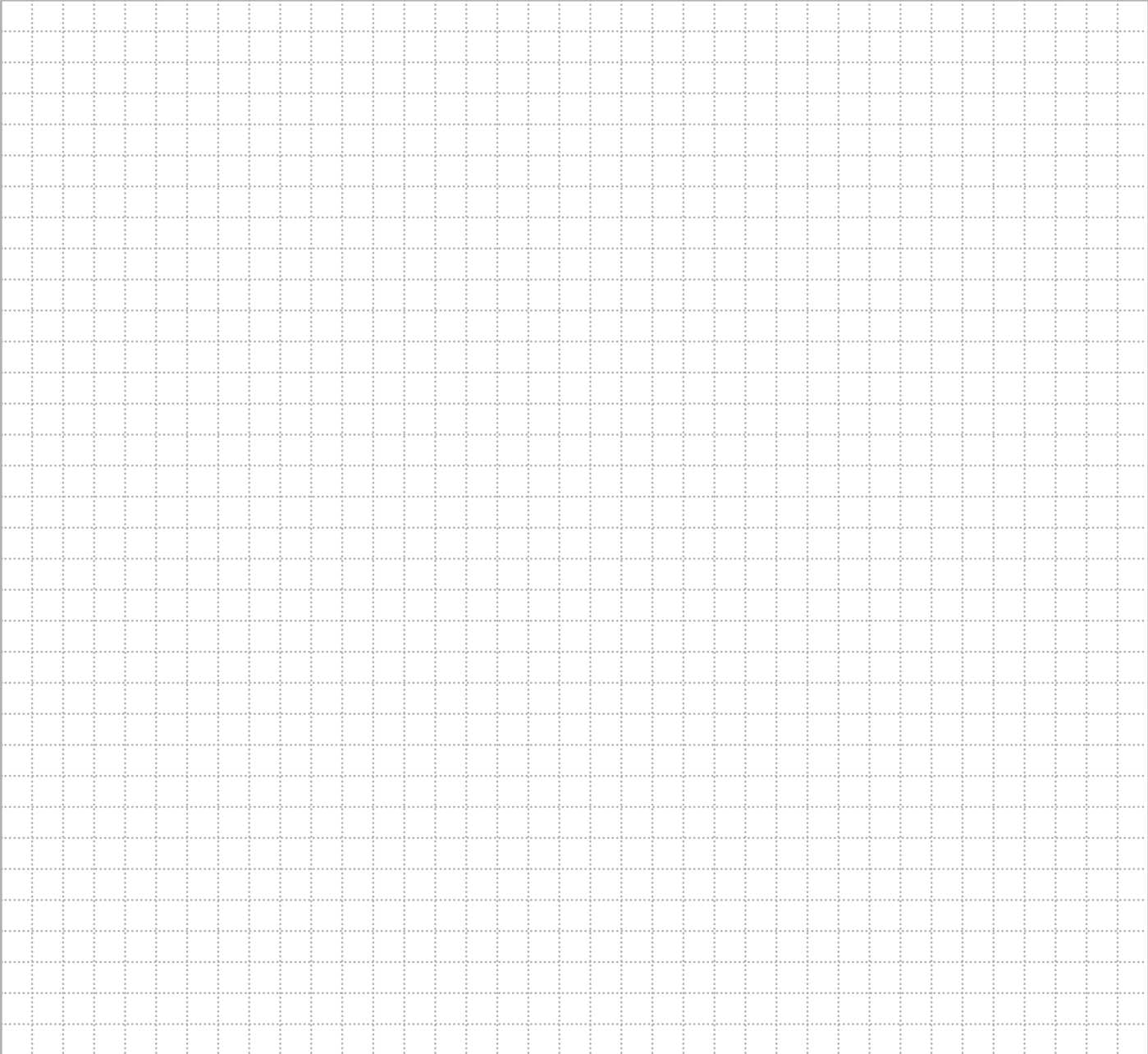
**IMPORTANT:** if you do not know the condensate type (emulsion or mixture) of your application then please always use a QWIK-PURE®.

To use the sizing chart, first locate the closest applicable compressor horsepower value (for multiple compressors use the total system horsepower) of your compressed air system. Locate the row with the appropriate compressor lubricant for your particular application (i.e mineral oil) and you will instantly know the correct ÖWAMAT® model size for your compressor type. Multiply the compressor maximum compressor horsepower by the climate zone correction factor based on the location of your application.

Capacity tests and our long-term experience have enabled us to make locational adjustments to our capacity figures by taking global climate data into account. Regions in the southern United States (i.e San Antino, TX) are subject to higher temperature and humidity levels throughout the year, which can yield different condensate treatment requirements. Therefore, if you feel that your regional location may have a significant impact on the application or installation, please consult your BEKO representative for details.

Reliable | Efficient | Innovative

What can we do for you?



**BEKO TECHNOLOGIES CORP.**  
900 Great Southwest Pkwy SW  
Atlanta, GA 30336  
USA  
Phone +1 (404) 924-6900  
Fax +1 (404) 629-6666  
[www.bekousa.com](http://www.bekousa.com)

